

DATA OUTPUT



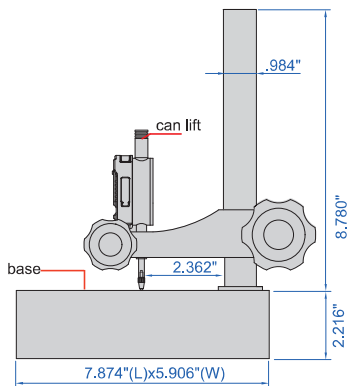
1159-101E



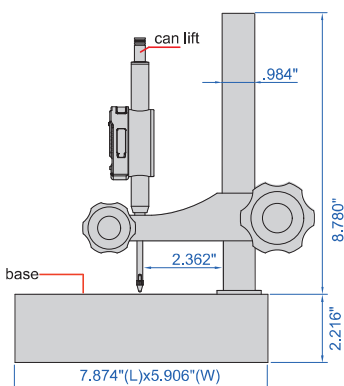
1159-25E



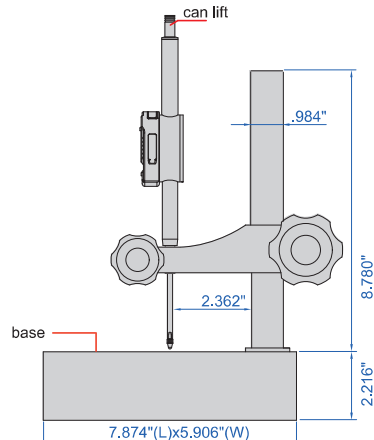
1159-501E



1159-10E
1159-101E



1159-25E
1159-251E



1159-50E
1159-501E

- Granite base flatness: 98µin
- Vertical travel of holder: 6.7"
- Battery CR2032, data output
- Button function: on/off, inch/mm, zero, data preset, change measuring direction, absolute/incremental measurement
- Supplied with dust cover
- Optional accessory:
wireless transmitter code 7315-50M (receiver is needed) ,data output cable code 7302-40M, contact points

Part No.	Digital indicator stroke	Resolution	Accuracy	Maximum measuring force
1159-10E	.5"/12.7mm	0.0005"/0.01mm	±.0015"	.337lbf
1159-25E	1"/25.4mm	0.0005"/0.01mm	±.0015"	.495lbf
1159-50E	2"/50.8mm	0.0005"/0.01mm	±.0015"	.562lbf
1159-101E	.5"/12.7mm	0.00005"/0.001mm	±.00015"	.337lbf
1159-251E	1"/25.4mm	0.00005"/0.001mm	±.00015"	.495lbf
1159-501E	2"/50.8mm	0.00005"/0.001mm	±.00015"	.562lbf