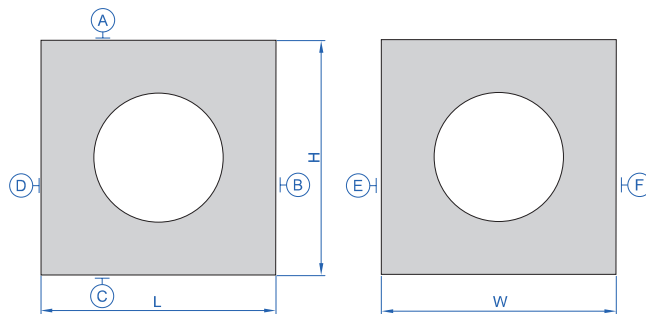


GRANITE SQUARES



4145-200



- Made of Indian granite, high hardness, free from deterioration or dimensional change overtime, minimal changes in dimension due to temperature changes

Part No.	Size (L×W×H)	Squareness of A, B, C, D, E and F	Parallelism and squareness of A, B, C, D, E and F
4145-200	7.9×7.9×7.9"	59μin	79μin
4145-300	11.8×11.8×11.8"	79μin	158μin