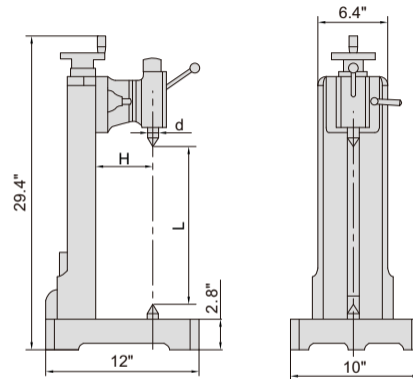
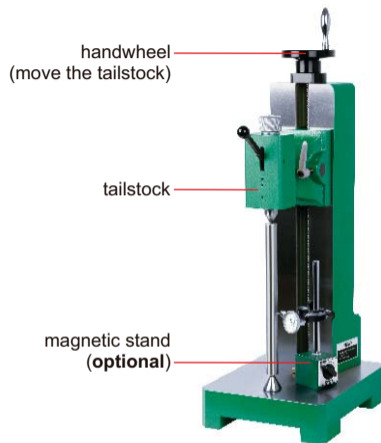


VERTICAL BENCH CENTER

- Distance between two centers (L): 14.2"
- Hardened cast-iron guide surface
- Use handwheel to move the tailstock
- Optional accessory:
magnetic stands, dial test indicators



Part No.	Parallelism*	Runout accuracy	Center height (H)	Diameter of center (d)	Taper of center	Weight	Load
4728-360	.0004"	.00008"	5.2"	.948" DIA	MT3	187lb	176lb

*Parallelism of two centers to the guide surface