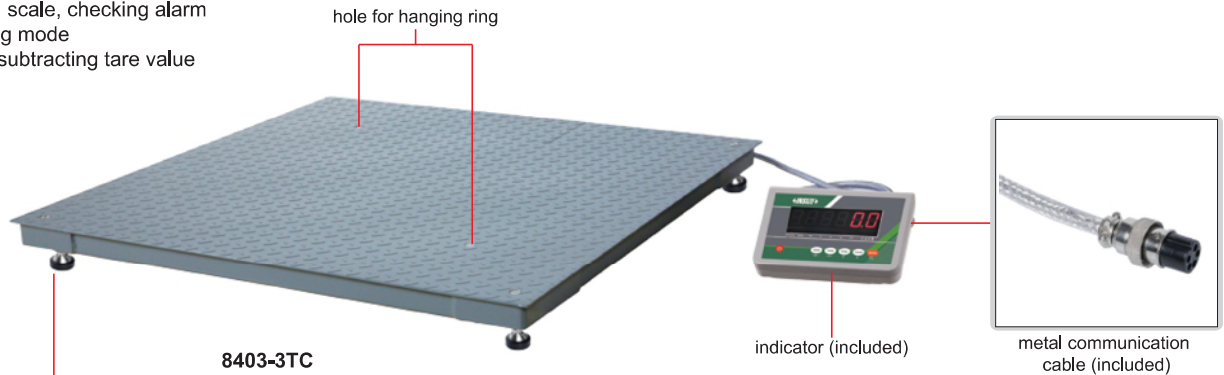


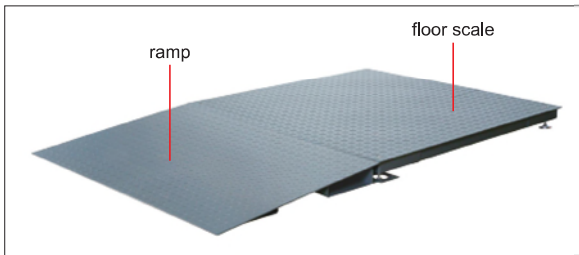
FLOOR SCALES (STANDARD TYPE)

CAN BE CUSTOMIZED DATA OUTPUT BUILT-IN BLUETOOTH

- Simple counting, animal scale, checking alarm
- Peak (max.) and tracking mode
- Zero-setting, weighing, subtracting tare value
- Overload alarm
- Automatic power off
- Data output
- Unit: kg, lb



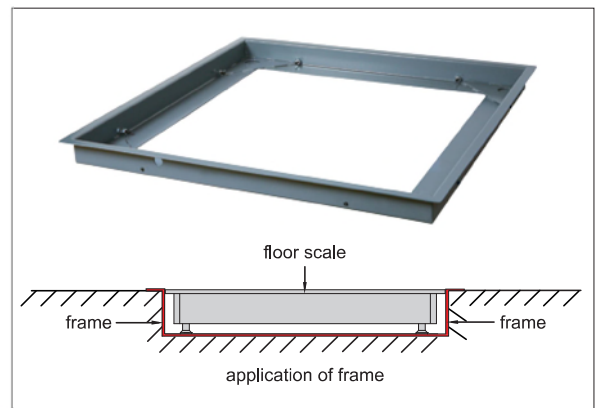
universal foot (included)



ramp (optional)



stainless steel stand (optional)



frame (optional)

STANDARD DELIVERY

| | |
|----------------|-------|
| Main unit | 1 pc |
| Indicator | 1 pc |
| Power adapter | 1 pc |
| Universal foot | 4 pcs |
| Hanging ring | 2 pcs |

OPTIONAL ACCESSORY

| | |
|-----------------------|--|
| Ramp | 8403-RAMP* |
| Frame | 8403-FRAME* |
| Alarm light | 8403-ALARM (must be supplied with scales together) |
| Stainless steel stand | 8403-STAND |
| Printer | 8403-PRINTER |

* Can be customized



printer (optional)

SPECIFICATION

| Code | Maximum weighing | Minimum weighing | Resolution (d) | Accuracy | Dimension of platform |
|----------|------------------|------------------|----------------|----------|-----------------------|
| 8403-1TA | 1t/2204lb | 10kg/22lb | 0.5kg/1.1lb | ±1.1lb | 31.5×31.5" |
| 8403-2TA | 2t/4409lb | 10kg/22lb | 0.5kg/1.1lb | ±1.1lb | |
| 8403-3TA | 3t/6613lb | 10kg/22lb | 0.5kg/1.1lb | ±2.2lb | |
| 8403-1TB | 1t/2204lb | 10kg/22lb | 0.5kg/1.1lb | ±1.1lb | 39.4×39.4" |
| 8403-2TB | 2t/4409lb | 10kg/22lb | 0.5kg/1.1lb | ±1.1lb | |
| 8403-3TB | 1t/2204lb | 10kg/22lb | 0.5kg/1.1lb | ±2.2lb | |

| Code | Maximum weighing | Minimum weighing | Resolution (d) | Accuracy | Dimension of platform |
|----------|------------------|------------------|----------------|----------|-----------------------|
| 8403-1TC | 1t/2204lb | 10kg/22lb | 0.5kg/1.1lb | ±1.1lb | 47.2×47.2" |
| 8403-2TC | 2t/4409lb | 10kg/22lb | 0.5kg/1.1lb | ±1.1lb | |
| 8403-3TC | 3t/6613lb | 10kg/22lb | 0.5kg/1.1lb | ±2.2lb | |
| 8403-1TD | 1t/2204lb | 10kg/22lb | 0.5kg/1.1lb | ±1.1lb | 59.1×59.1" |
| 8403-2TD | 2t/4409lb | 10kg/22lb | 0.5kg/1.1lb | ±1.1lb | |
| 8403-3TD | 3t/6613lb | 10kg/22lb | 0.5kg/1.1lb | ±2.2lb | |

| | |
|-----------------------|----------------------------------|
| Material of platform | carbon steel |
| Material of indicator | ABS plastic |
| Output | RS232 |
| Operation temperature | 14~104°F |
| Operation humidity | 30~80%RH |
| Power | 3.7V rechargeable Li-ion battery |

Unit: in

| Dimension of platform | A | B | C | D | E | F | G | H |
|-----------------------|------|------|------|------|------|------|------|------|
| 31.5×31.5 | 31.5 | 25.2 | 25.2 | 31.5 | 25.2 | 1.77 | 2.99 | 25.2 |
| 39.4×39.4 | 39.4 | 33.1 | 33.1 | 39.4 | 33.1 | 1.77 | 2.99 | 33.4 |
| 47.2×47.2 | 47.2 | 40.9 | 40.9 | 47.2 | 40.9 | 1.77 | 2.99 | 44.5 |
| 59.1×59.1 | 59.1 | 52.8 | 52.8 | 59.1 | 52.8 | 1.77 | 2.99 | 61.2 |

