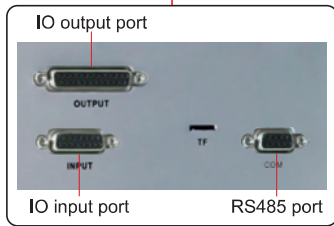


# INTELLIGENT ELECTRIC TIGHTENING WRENCHES (CURRENT CONTROL)

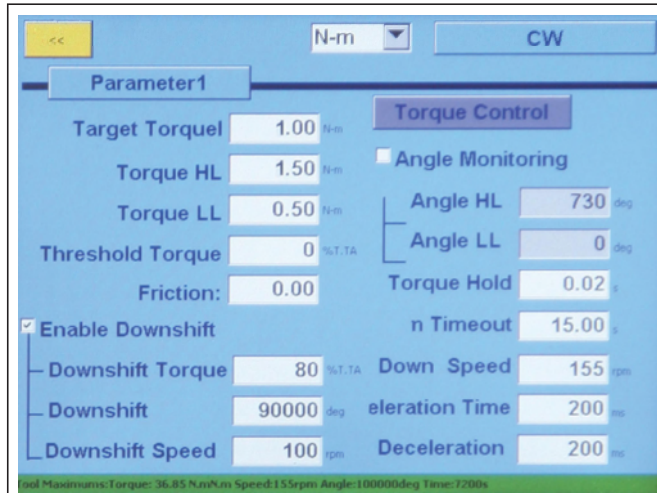
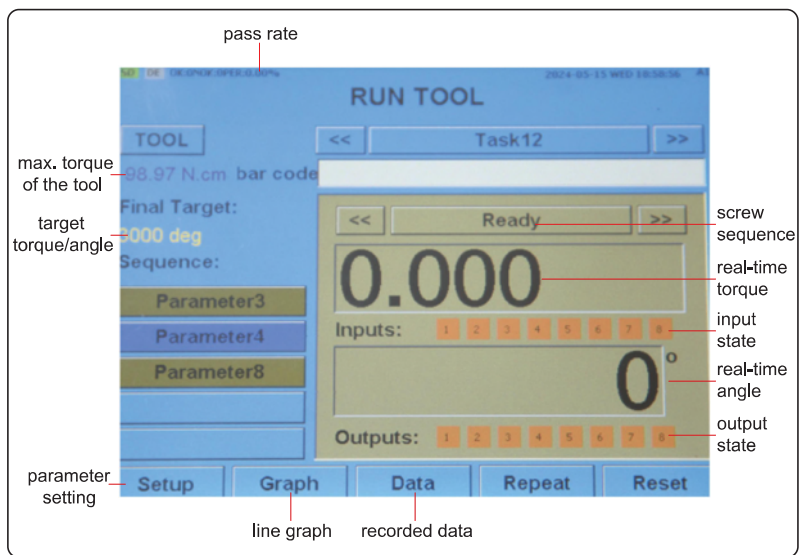
ATTENTION: TORQUE TESTERS (OPTIONAL) ARE NEEDED FOR CALIBRATION BEFORE USE

ATTENTION: USED WITH BALANCE ARMS OR MOUNTED ON MACHINES

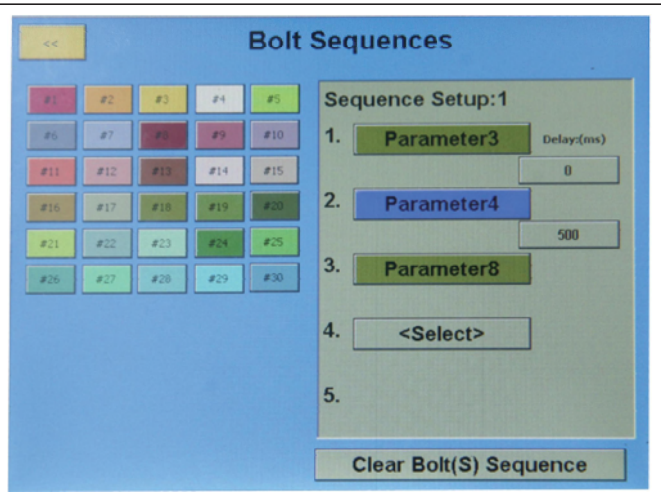
ATTENTION: SPEED SHOULD BE BELOW 100RPM WHEN TIGHTENING IS ENDED



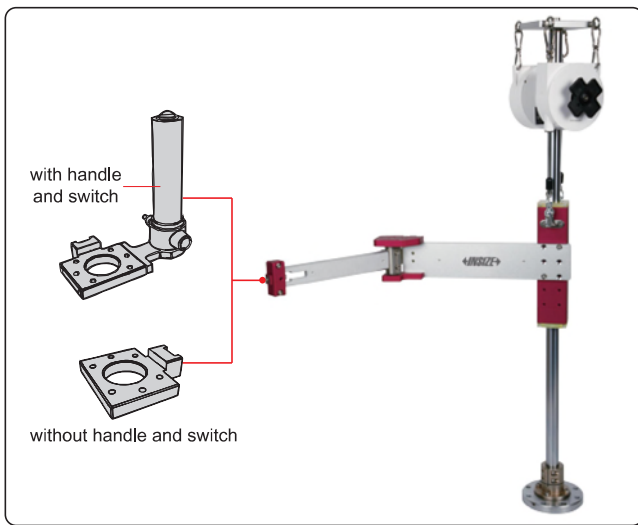
- Highly efficient heat dissipation setting, low noise handling and long service life
- 90W permanent magnet synchronous servo motor and high-precision reducer power transmission mechanism
- High-precision angle sensor (resolution 1°) and built-in servo drive
- Provide precise control of torque, angle, speed and etc.
- 12 task modes, each task can be configured with 8 different parameters
- Provide graphical tool for process optimization and diagnostic
- Provide programmable IO for process control and RS485 communication for data transmission, can connect to MES system
- Locked data is stored in EXCEL on the hard disk for 600 days
- Controller is equipped with physical buttons for assisted operation and LED light and buzzer for dual alarms



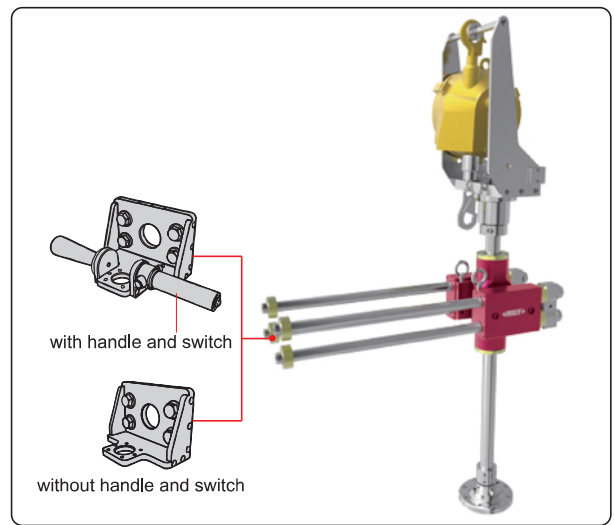
interface of tightening parameter setting



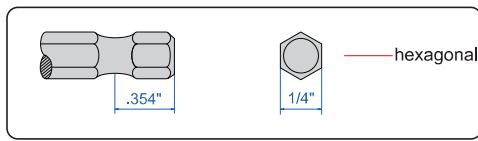
interface of screw sequence matching parameters



light load balance arm (optional)



heavy load balance arm (optional)



hexagonal screwdriver head (optional)

(can be customized: cross, flathead, hexagonal, star-shaped)



square wrench socket (optional)

## SPECIFICATION

Part No.	HES-L700A-U	HES-L120A-U	HES-L230A-U	HES-L420A-U	HES-L120B-U	HES-L230B-U	HES-L420B-U	
Torque range	17.7~61.9lbf.in	35.4~106.2lbf.in	61.9~203.5lbf.in	106.2~372lbf.in	35.4~106.2lbf.in	61.9~203.5lbf.in	106.2~372lbf.in	
	2.00~7.00N.m	4.00~12.0N.m	7.00~23.0N.m	12.0~42.0N.m	4.00~12.0N.m	7.00~23.0N.m	12.0~42.0N.m	
Type	type A				type B			
Max. speed	900rpm	400rpm	220rpm	130rpm	400rpm	220rpm	130rpm	
Applicable screw outside diameter	.157~.276"	.217~.315"	.236~.394"	.276~.472"	.217~.315"	.236~.394"	.276~.472"	
Applicable wrench head	1/4" hexagonal		3/8" square	1/2" square	1/4" square	3/8" square	1/2" square	
Activation mode	additional start switch is required				with start switch			
Torque accuracy	±5% at 30%~80% of maximum output torque, ±8% in other range							
Display operation interface	touch screen menu operation mode, 3 function buttons+3 LED indicators							
Power supply	AC 110V±10%, 50~60HZ							
Dimension	electric wrench	10.49× 2.87×1.67"	11.16× 2.87×1.67"	13.11× 2.28×2.28"	13.39× 2.28×2.28"	18.31× 2.87×1.87"	19.45× 2.28×2.28"	19.72× 2.28×2.28"
	controller	9.25×6.30×13.58"						
Weight	electric wrench	2.42lb	2.42lb	4.23lb	4.36lb	5.73lb	5.73lb	5.73lb
	controller	12.1lb						

## STANDARD DELIVERY

Electric tightening wrench	1pc
Controller	1pc
USB transmission cable	1pc

## OPTIONAL ACCESSORY

1/4" hexagonal screwdriver head	
Square wrench socket	IST-S series
Light load balance arm (with handle and switch)	HES-L-X1 (suitable for HES-L700A, HES-L120A, HES-L230A)
Heavy load balance arm (with handle and switch)	HES-L-X2 (suitable for HES-L420A)
Light load balance arm (without handle and switch)	HES-L-X3 (suitable for HES-L120B, HES-L230B)
Heavy load balance arm (without handle and switch)	HES-L-X4 (suitable for HES-L420B)
QR code scanner	7328-SCAN
Static torque sensor (for calibration before use)	IST-NJ series
Handheld torque indicator (for calibration before use)	ISF-DG4 (necessary for IST-NJ series)
Buffer (for calibration before use)	IST-NJ-BF series