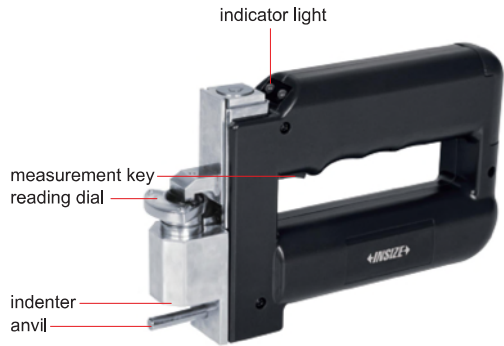
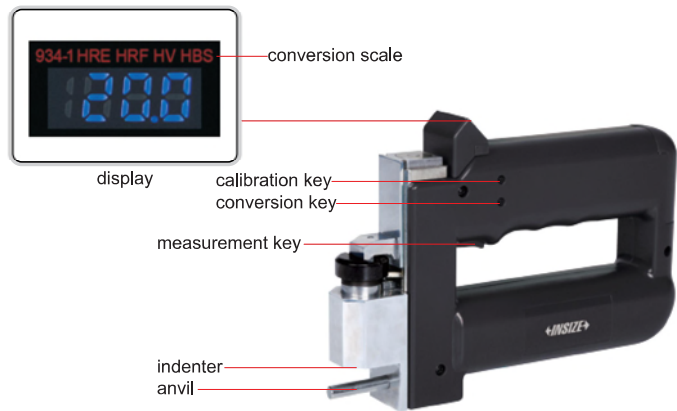


## ELECTRIC ALUMINUM HARDNESS TESTERS

ONE-BUTTON  
MEASUREMENT



ISHW-EH30



ISHW-ED31

- According to ASTM B647
- To measure the hardness of soft metal such as aluminum profiles, tubes, plates, aluminum parts, copper alloy and other soft metals
- Easy to carry and read
- Using one-button measurement, micro servo motor as the power, accurate control of the applied force, improve the stability of the measurement
- The needle is made of special material for long life

### SPECIFICATION

Part No.	ISHW-EH20	ISHW-EH30	ISHW-ED21	ISHW-ED31
Display mode	pointer		digital	
Conversion scale	/		934-1 (Barcol), HRE, HRF, HV, HBS*	
Thickness requirement of flat workpieces	.039~.020"	.039~.020"	.039~.020"	.039~.020"
Pipe workpiece inner diameter requirement	>.39" DIA	>.26" DIA	>.39" DIA	>.26" DIA
Pipe workpiece wall thickness requirement	.039~.020"	.039~.020"	.039~.020"	.039~.020"
Hardness range	0~20HW			
Resolution	1HW		0.1HW	
Accuracy	±0.5HW (at 5~18HW)			
Power supply	rechargeable lithium battery			
Dimension (L×W×H)	7.36×1.50×4.65"		7.36×1.50×5.16"	
Weight	2.00lb		2.06lb	

\*Conversion scale values are only for reference, there is no direct conversion standard

### STANDARD DELIVERY

Part No.	ISHW-EH20	ISHW-EH30	ISHW-ED21	ISHW-ED31
Main unit	1pc	1pc	1pc	1pc
Hardness test block	1pc	1pc	1pc	1pc
Spare indenter	1pc	1pc	1pc	1pc
Hex wrench	1pc	1pc	—	—
Calibration wrench	1pc	1pc	1pc	1pc
Lithium battery	1pc	1pc	1pc	1pc
Lithium battery charger	1pc	1pc	1pc	1pc